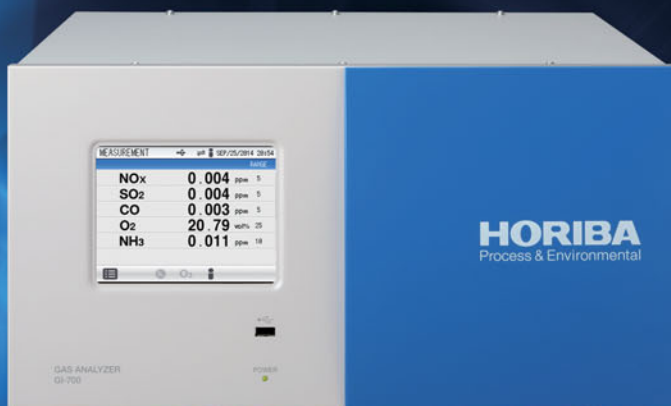


Stack Gas Analyzer GI-700 Series



Increase your CEMS Capabilities with a HORIBA Multi-gas Analyzer

Experience HORIBA, the Global Single Source Solutions Provider with over 50 years of technological advancements and unparalleled reliability, dependability and operability.

The GI-700 stack gas analyzer is designed to continuously measure the concentrations of nitrogen oxides (NO_x), sulfur dioxide (SO₂), carbon monoxide (CO), carbon dioxide (CO₂), oxygen (O₂) and ammonia (NH₃) in stack flue gas streams.

Stack Gas Analyzer GI-700 Series



Features

1 Ultimate Dependability

Proven cross flow modulation technique
Continuous base line validation

2 Ultimate Low cost ownership

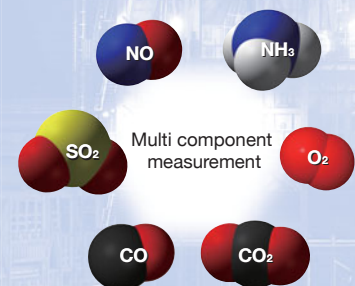
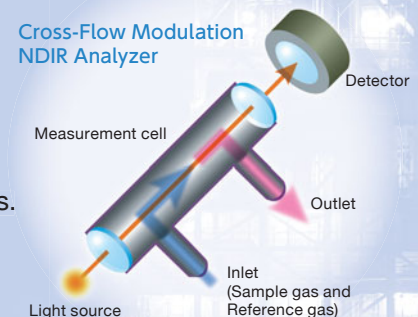
Up to 6 gases can be measured using a single analyzer with multiple detectors.
Works with a simple sampling unit having less tubing, fewer power cables.
Simplified wiring translates into less time required for installation.
Minimum function for the operation. Any additional functions can be added from controlling PLC.

3 Ultimate Sensitivity

5 ppm High-Precision measurement (NO_x, SO₂, and CO) is available.

[Others]

- An external converter provides for separate measurements of NO and NO₂.
- All component modules can be easily installed with in a single 19 inch case. The compact design saves space, facilitates maintenance and requires less wiring and tubing during installation.
- Power consumption is reduced by approximately 50% as compared to systems using individual analyzers (NH₃ analyzer).



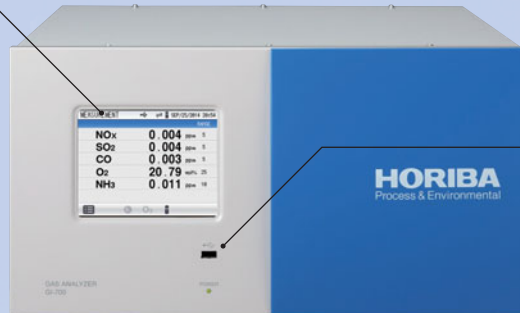
User Friendly

LCD color touch panel

All operations, including calibration and measurement can be performed on the touch screen. The high visibility 5.7 inch color display makes it easy to check the status.

MEASUREMENT	VALUE	UNIT	RANGE
NOx	0.004	ppm	5
SO ₂	0.004	ppm	5
CO	0.003	ppm	5
O ₂	20.79	vol%	25
NH ₃	0.011	ppm	10

CALIBRATION 1/3	TYPE	CAL	RANGE	SPAN	GAS
NOx	0.002	ppm	5	4.500	
SO ₂	1.002	ppm	5	4.500	
CO	0.053	ppm	5	4.500	
O ₂	20.79	vol%	25	20.79	
NH ₃	0.002	ppm	5	4.500	

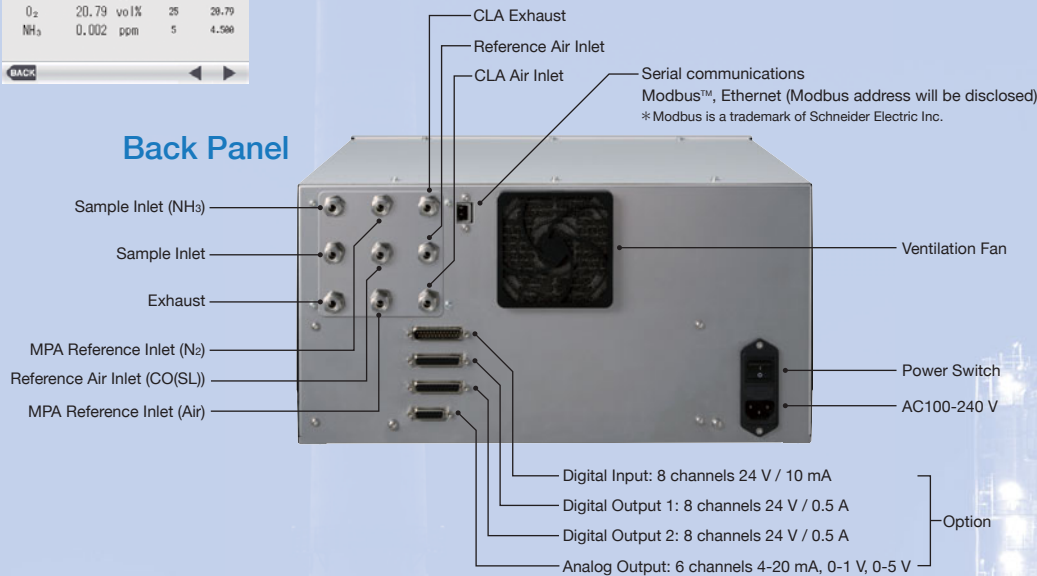


USB Port

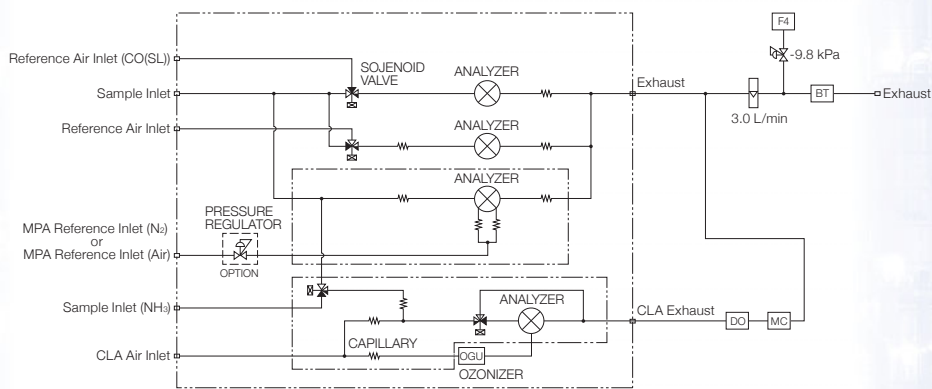
Storing data on USB flash memories enables easy data management on PCs. (Measured value, Alarm, Calibration history)
* HORIBA recommended USB is available.



Back Panel



Flow schematic (NO_x, SO₂, O₂, NH₃, CO)



Various Applications



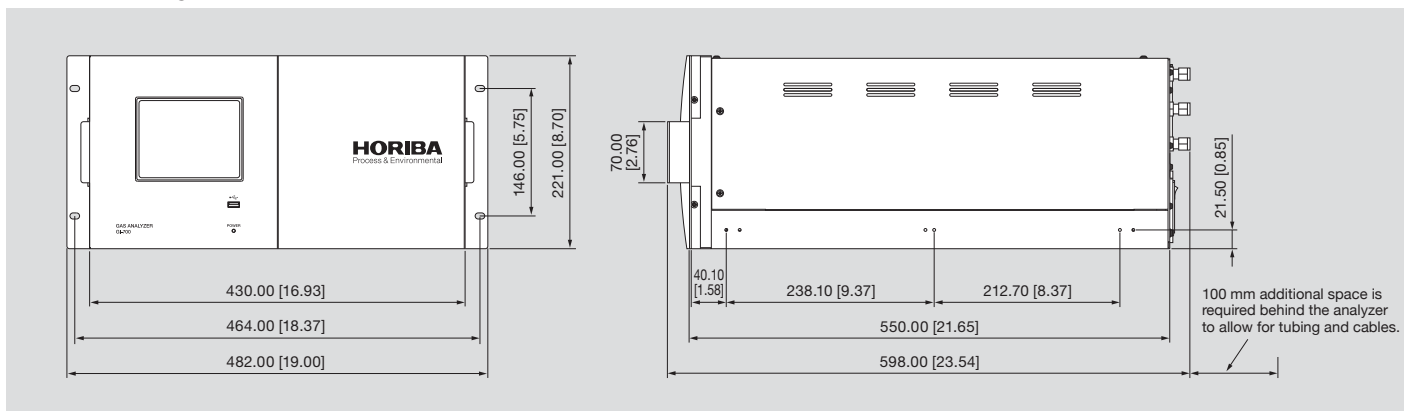
Applications include:
Stack emission monitor, SCR control,
Desulfurization control, Green house gas
monitor, Boiler emission, Gas separation,
Coal fired gas, Natural fired gas etc...

Specifications

Model		GI-700													
Component		NOx		SO ₂		CO				CO ₂		O ₂		NH ₃ ²	
Measurement methods		CLA (High sensitivity)	NDIR (Standard)	NDUV (High sensitivity)	NDIR (Standard)	NDIR (High sensitivity 1)		NDIR (High sensitivity 2)	NDIR (Standard)	NDIR (High concentration)	NDIR (Standard)	NDIR (High concentration)	MPA (N ₂ carrier)	MPA (Air carrier)	CLA (differential method)
Range		Standard 10-5000 ppm	200-5000 ppm	10-1000 ppm	200-5000 ppm	—	—	50-500 ppm	200-5000 ppm	—	5-25 vol%	—	5-25 vol%	10-25 vol%	10-100 ppm
Optional		5 ppm	—	5 ppm	—	5 ppm	10-100 ppm	—	100 ppm	1-5 vol%	—	10-50 vol%	—	—	—
Range Ratio		Standard 1:10	1:10	1:10	1:10	—	—	1:10	1:10	—	1:5	—	1:5	1:5	1:10
Optional		1:20	1:20	1:20	1:20	1:1	1:10	—	1:20 ¹	1:5	—	—	—	—	—
Indicated error (Linearity)		± 1.0% of full-scale value for each component and range (Standard range ratio) ± 2.0% of full-scale value for each component and range (Optional range ratio)													
Zero drift		± 1.0%/week of full scale (standard range) (if the ambient temperature change is ≤ 5°C) ± 2.0%/week of full scale (optional range and O ₂ carrier specification O ₂ analyzer) (if the ambient temperature change is ≤ 5°C)													
Span drift		± 2.0%/week of full scale (if the ambient temperature change is ≤ 5°C)													
Response time		T ₉₀ =45 s from the analyzer inlet													
Interference		±2.0% of full scale													
Environment		0° to 40°C (No direct sun light or no radiation heat)													
Condition		Humidity ≤ 90%													
Measuring Gas Condition		Temperature: Ambient temperature, NO: Up to 5000 ppm, NO ₂ : None, SO ₂ : Up to 5000 ppm, SO ₃ : None, CO: Up to 5000 ppm, CO ₂ : 3 vol% to 15 vol%, O ₂ : 0.2 vol% to 15 vol%, HCl: None, H ₂ O: Saturated at 5°C, Dust: None													
Sample inlet tube		Polytetrafluoroethylene tube (6 mm O.D./4 mm I.D.)													
Sample gas pressure		Atmospheric pressure ± 4 in. W.C.													
Pressure control		Not including (Vacuum regulator (-9.8 kPa))													
Calibration gas		Nitrogen													
Zero gas		Gas to be measured													
Span gas		Nitrogen (for N ₂ carrier specification), Air (for air carrier specification)													
Carrier gas for (oxygen analyzer)		Dry air (saturated at ≤ -30°C)													
Air for ozone generation		100 - 240 VAC (Depends on components)													
Power supply		50/ 60 Hz for common use													
Power frequency		240 VA													
Power consumption		PTFE, Nylon, PP, FKM, SS304, SS316													
Materials in contact with sample gas															

*1: A range ratio of 1: 40 is also possible for special applications.
*2: A range ratio of CLA NH₃ and CLA NO_x should be 1: 5 or less.

Outline Drawings (mm [inch])



Please read the operation manual before using this product to assure safe and proper handling of the product.



- The specifications, appearance or other aspects of products in this catalog are subject to change without notice.
- Please contact us with enquiries concerning further details on the products in this catalog.
- The color of the actual products may differ from the color pictured in this catalog due to printing limitations.
- It is strictly forbidden to copy the content of this catalog in part or in full.
- The screen displays shown on products in this catalog have been inserted into the photographs through compositing.
- All brand names, product names and service names in this catalog are trademarks or registered trademarks of their respective companies.

<http://www.horiba.com> e-mail: info@horiba.co.jp

●HORIBA, Ltd.

Head Office
2 Miyanohigashi, Kisshoin
Minami-ku, Kyoto, Japan
Phone: 81 (75) 313-8121
Fax: 81 (75) 321-5725

Tokyo Sales Office
Kanda-Awaji-cho Nichome
Building 2-6, Awaji-cho,
Kanda, Chiyoda-ku, Tokyo,
Japan
Phone: 81 (3) 6206-4721
Fax: 81 (3) 6206-4730

●HORIBA (China) Trading Co., Ltd.

Shanghai Office
Unit D, 1F, Building A, Synnex
International Park, 1068
West Tianshan Road,
Shanghai, 200335 China
Phone: 86 (21) 6289-6060
Fax: 86 (21) 6289-5553

Beijing Office
12F, Metropolis Tower, No.2,
Haidian Dong 3 Street,
Beijing, 100080, China
Phone: 86 (10) 8567-9966
Fax: 86 (10) 8567-9066

●HORIBA Korea Ltd.

10, Dogok-Ro, 6-Gil,
Gangnam-Gu, Seoul-Si,
135-860, Korea
Phone: 82 (2) 753-7911
Fax: 82 (2) 756-4972

●HORIBA Instruments (Singapore) Pte Ltd.

Head Office
10, Ubi Crescent #05-12
Lobby B Ubi Techpark
Singapore 408564
Phone: 65 (6) 745-8300
Fax: 65 (6) 745-8155

Hanoi Office
Unit 10, 4 Floor, CMC tower,
Duy Tan Street, Dich Vong
Hau Ward, Cau Giay district,
Hanoi, Vietnam
Phone: 84 (4) 3795-8552
Fax: 84 (4) 3795-8553

●PT HORIBA Indonesia

Jl. Jalur Sutra Blok 20A,
No.16-17, Kel. Kunciran, Kec.
Pinang Tangerang - 15144,
Indonesia
Phone: 62 (21) 3044-8525
Fax: 62 (21) 3044-8521

●HORIBA (Thailand) Ltd.

393, 395, 397, 399, 401,
403, Latya Road,
Sombetchaopraya, Klongsan,
Bangkok 10600, Thailand
Phone: 66 (0) 2 861 5995
ext. 123
Fax: 66 (0) 2 861 5200

●HORIBA India Private Limited

Delhi Office
246, Okhla Industrial Estate,
Phase 3 New Delhi - 110020,
India
Phone: 91 (11) 4646-5000
Fax: 91 (11) 4646-5020

Pune Office
502, 5th Floor, Purushottam
Plaza, Baner Road, Baner,
Pune - 411045 India
Phone: 91 (20) 4076-6000
Fax: 91 (20) 4076-6010

●HORIBA Instruments Incorporated

Bangalore Office
Kamadhenu, No.17/1 - 32,
Bannerghatta Road,
Bangalore India
Phone: 91 (80) 22210071

Irvine Office
9755 Research Drive,
Irvine, CA 92618, U.S.A.
Phone: 1 (949) 250-4811
Fax: 1 (949) 250-0924

Alvin, TX Office
5318 W.FM517 Rd, Alvin,
TX 77511, U.S.A.
Phone: 1 (281) 482-4334
Fax: 1 (281) 614-0303

●HORIBA Instruments Brasil, Ltda.

Rua: Presbitero Plinio Alves
de Souza, 645, Loteamento
Polo Multivias Bairro
Medeiros - Jundiá Sao Paulo
CFP 13.212-181 Brazil
Phone: 55 (11) 2923-5400
Fax: 55 (11) 2923-5490

●HORIBA UK Limited

Northampton Office
Kyoto Close
Moulton Park, Northampton
NN3 6FL, UK
Phone: 44 (1604) 542-500
Fax: 44 (1604) 542-699

●HORIBA (Austria) GmbH

Kaplanstrasse 5
A-3430 Tulln,
Austria
Phone: 43 (2272) 65225
Fax: 43 (2272) 65230

●HORIBA Europe GmbH

Head Office
Hans-Mess-Str.6
D-61440 Oberursel
Germany
Phone: 49 (6172) 1396-0
Fax: 49 (6172) 1373-85

Leichlingen Office
Julius-kronenberg Str.9
D-42799 Leichlingen
Germany
Phone: 49 (2175) 8978-0
Fax: 49 (2175) 8978-50

●HORIBA Czech

Prumyslova 1306/7,
CZ-10200, Praha 10,
Czech Republic
Phone: 420 (2) 460-392-65

●HORIBA France Sarl

12, Av des Tropiques Hightec
Sud, F-91955 Les Ulis,
France
Phone: 33 (1) 69-29-96-23
Fax: 33 (1) 69-29-95-77

Bulletin:HRE-2883A

Printed in Japan TS-TH(SK)23